



300/300 Antenna

13.56 MHz antenna for industrial use in diverse applications. Compact and light, it has an excellent size/reading distance ration.



Purchase Code: 500.149

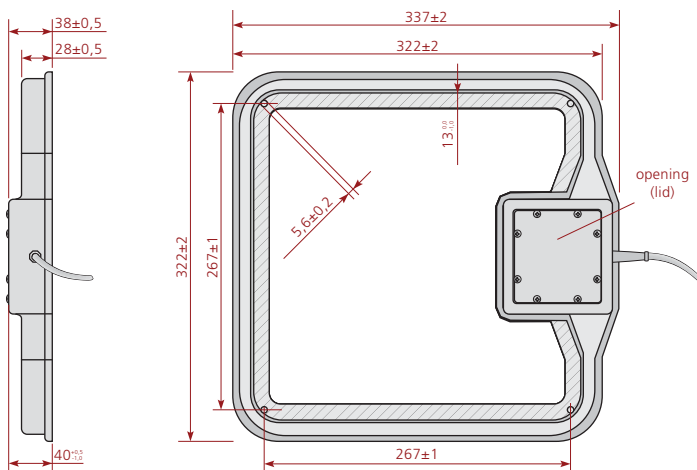
Resources

The 300/300 Antenna works in integration with the Mid Range MR-200 reader. With a transmission power of 1.75 W it is possible to reach a reading distance of up to 55 cm.

With its IP 65 protection grade, it is appropriate for applications in hostile environments such as mining areas, alcohol/sugar plants and industries in general.

Its main application is in the system of Reclaimers / Forklifts Positioning in mining area.

Dimensions [mm]



Technical specifications

Body	Plastic ABS
Color	Black
Dimensions	322 x 337 x 38 mm
Weight	0.7 kg
Protection	IP 65
Max transmission power	10 W
Admissible transmission power	4 W (without armoring)
Reading distance*	Up to 55 cm
Connection	RG58 coaxial cable (3.6 m), SMA plug
Operating frequency	13.56 MHz
Operating temperature	-25°C to 60°C
Storage temperature	-25°C to 80°C
Vibration	EN60068-2-6, 0.15 mm / 2g (10 Hz to 150 Hz)
Impact (acceleration)	EN60068-2-27, 30g

* The reading distance depends on the reader.