



Purchase Code: 500.196

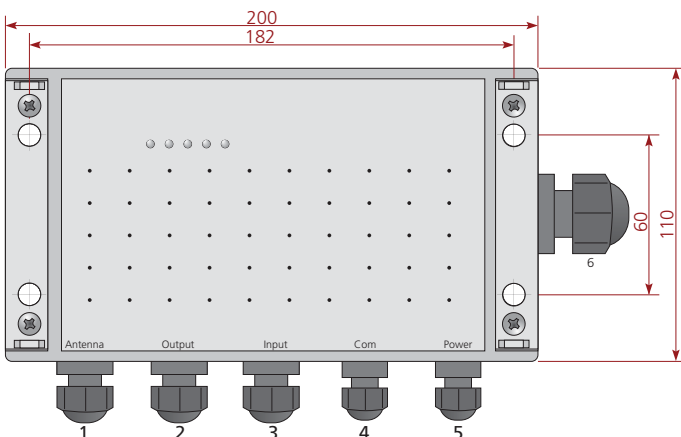
RFID MR-200 Mid Range Reader

MR-200 Mid Range Multi-Tag Reader for 13.56 MHz operating transponders applied to retail, industry, logistic, etc.

Resources

The MR-200 reader has aluminum body with IP54 protection, resistant to dust, dirt and water splashes, appropriate for industrial use. With power of up to 1.75 watt, it is possible to read from up to 70 cm distance. The reader has several input and output connections as well as antenna diagnosis function, which indicates if the antenna is not properly adjusted. The MR-200 reader is ideal for mining applications, where it works in the Retakers / Forklifts Positioning System.

Dimensions [mm]



Technical Specifications

Body	Aluminum box with metal paint, articulated lock
Color	RAL 7040
Dimensions	200 x 110 x 60 mm
Weight	1 kg
Protection	IP 54
Power supply	12 - 24V DC \pm 5%
Consumption	Max 13 VA
Operating frequency	13.56 MHz
Transmission power	1 W / 1.75 W \pm 1 dB
Modulation grade	20% \pm 5% absolute
Antenna connection	SMA socket (50 Ohm)
Communication	RS-232 / RS-485 / Profibus DP DeviceNet / Ethernet - TCP/IP
Operating modes	ISO Host protocol, Buffered Real Mode (BRM), Notification Mode, Scan Mode
EEPROM transponder types	ISO15693, NXP I-Code, TI Tag-it, I-Code UID, 10.000 write cycles
FLASH	Desktop software update
Optical indicators	5 LEDs
Vibration	EN 60068-2-6 (10 Hz - 150 Hz: 0.075 mm / 1 g)
Impact	EN 60068-2-27 (acceleration: 30 g)
Outputs	2 optoisolated 24V DC / 30 mA; 1 relay (1x conversion) 24V DC / 2
Inputs	2 optoisolated max 24V DC / 20 mA
Temperature range	Operation: -20°C to 60°C Storage: -25°C to 85°C
Antenna default	Antenna 300/300