



Pulseira de Silicone AcuProx

The Silicone Wristbands AcuProx are ideal for identification and access control in clubs, water parks, cruises, hotels, etc applications. It features sturdy, durable packaging and a modern look. Available in blue, white, green and pink.

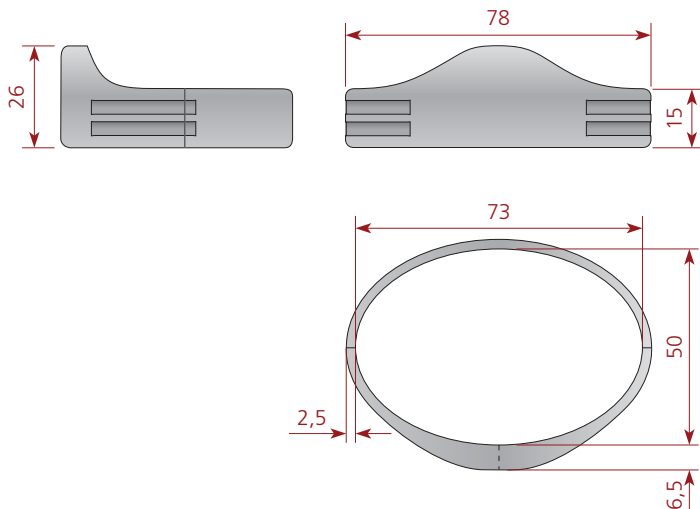


Purchase Code: 500.315 - Blue | 500.316 - Green | 500.344 - White | 500.345 - Pink

• Features

The Silicone Wristbands RFID tags are passive AcuProx the line that allow reading, have 64-bit memory, operating at frequency of 125 kHz and are compatible with all readers of AcuProx line. Besides the modern look, the bracelets are extremely resistant, withstand various types of environments and are waterproof, reaching a degree of protection IP68.

• Dimensions [mm]



• Technical Specifications

Electrical Characteristics	
Technology	LF - (Low Frequency, Passive)
Type	Wristbands
Modulation	ASK
Frequency of Operation	125 kHz
Chip RFID	Unique EM4002 or compatible
Memory Configuration	64 bits, being 40 bits the ID
Reading Range*	Depends on the reader used
Applications	Access Control / Identification
Lifetime**	Unlimited
Operational Characteristics	
Encapsulation	Silicon
Weight	16 g
Dimensions	195 mm in circumference
Operating Temperature	-25°C to +85°C
Storage Temperature	-25°C to +120°C
Degree of Protection	IP68
RoHS	Compatible

* Please consider powering reader with a regulated and stabilized 12V DC power source. Installation in an environment without electromagnetic noise and without the presence of metal surfaces near the reader will produce the best results.

** Within specifications.

• Advantages

- Increased security in data transmission;
- 64 bits Memory and triple encryption;
- Modern, sturdy and durable look;
- Compatible with all readers AcuProx family.