



Purchase Code: 500.384

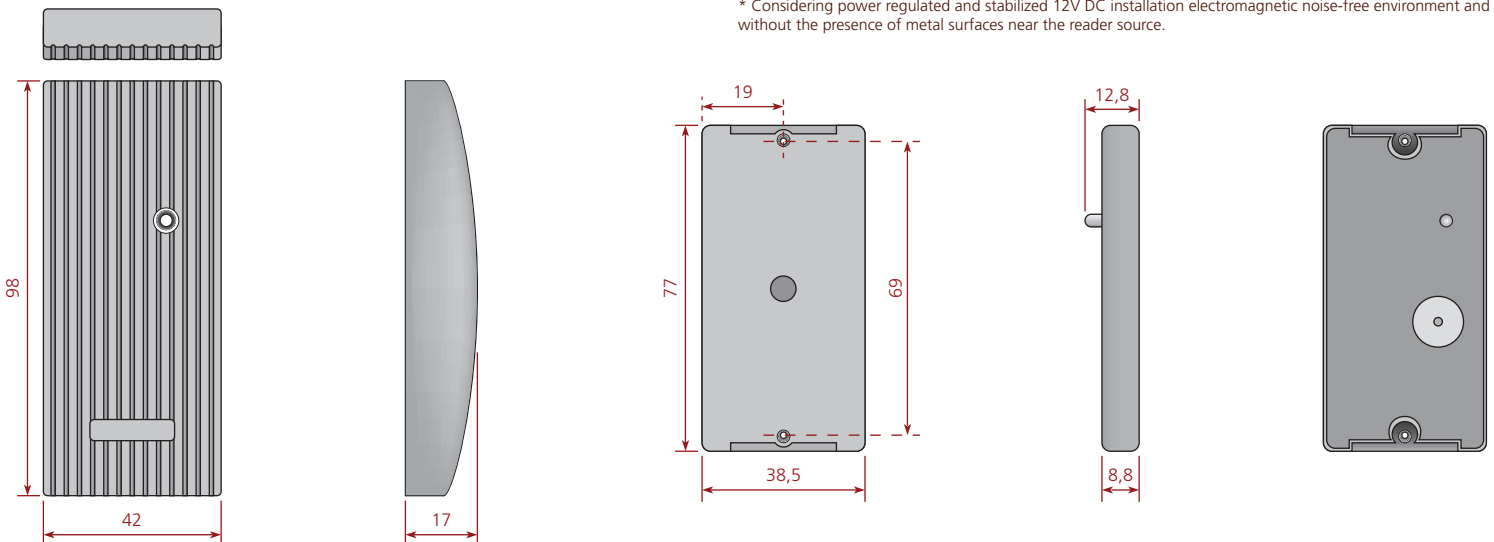
AP-06W RFID Reader

Another option of AcuProx line reader for access control and security. With compact size and modern finish, allows the reader to read cards and tags to a comfortable and safe distance.

• Features

The AP-06W has 26 bits Wiegand interface compatible with most controllers on the market, Reading Distance has 5 to 10 cm. With its compact, sleek and unobtrusive format, it is ideal for installations in walls, and other areas for access control. Type is a read-only reader, compatible with cards and tags AcuProx line. Reader recommended for external use, turnstiles outside or other equipment.

• Dimensions [mm]



• Technical Specifications

Power	9 to 12 VDC, typically with 12V DC
Consumption	80 mA @ 12 VDC
Communication Interfaces	Wiegand 26 bits
Reading Range*	Up to 6 cm, with an AcuProx Card ISO Up to 8 cm, with an AcuProx Card Up to 10 cm, with an AcuProx Card HP
Frequency of operation	LF - 125 kHz
Modulation	ASK
Protocol	ISO 11784/85
Transponder	Only reading cards and tags AcuProx
Dimensions	98 x 42 x 17 mm
Weight	94 g
Operating Temperature	-10° to 60°C
Humidity	10% to 90% (non-condensing)
Protection degree	Not apply
Installation	External surfaces or embedded in equipment.

* Considering power regulated and stabilized 12V DC installation electromagnetic noise-free environment and without the presence of metal surfaces near the reader source.