

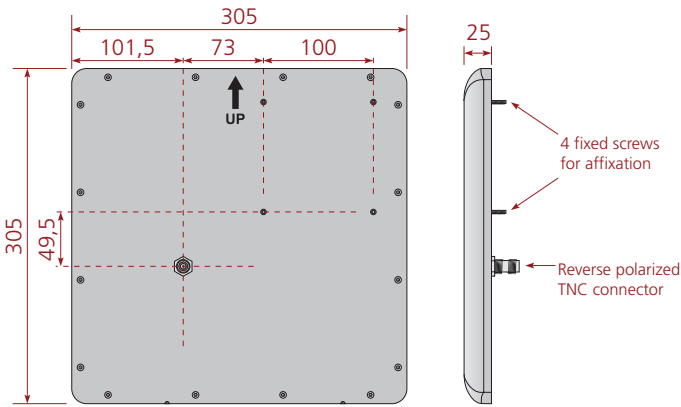


# UHF Monostatic 9 dBi Antenna

The monostatic 9 dBi antenna has great performance, resistance and design. Approved in several tests, it can be used on internal and external environments, with inox and aluminum metallic parts. It can be used along with any ACURA UHF RFID reader that supports monostatic antennas.

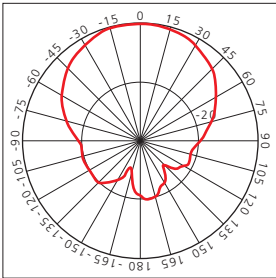
Purchase Code: 500.505

## • Dimensions [mm]

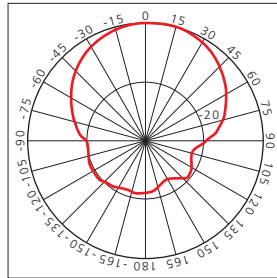


## • Irradiation

Horizontal irradiation diagram at 915 MHz



Vertical irradiation diagram at 915 MHz



## • Resistance tests

Test	Standard	Duration	Temperature	Observations
Low temperature	IEC 68-2-1	72 h	-51°C	
High temperature	IEC 68-2-2	72 h	+71°C	
Humidity	ETSI EN300-2-4 T4.1E	144 h		95% 5 cycles
Protection against water/dust	IEC 529			IP54
Solar radiation	ASTM G53	1000 h		
Flammability	UL 94			Classe HB
Salt Spray	IEC 68-2-11 Ka	500 h		
Mechanical spray	IEC 68-2-32	10 ms		6 x 100g
	IEC 68-2-27	HALFSINE		

## • Technical Specifications

### Electrical specifications

Frequency range	902-928 MHz
Gain	9 dBi
VSWR	1,3:1 (máx.)
3dBm Beamwidth	63° (horizontal), 63° (vertical)
Polarization	RHCP (circular)
Axial Ratio	902-928 MHz @ 3,5 dB (máx.)
F/B Ratio	-20 dB (typical), -18 dB (máx.)
Input Impedance	50 (Ohm)
Input power	6 W (máx.)
Protection	DC Grounded
Certifications	RoHS, CE 0682

### Operational specifications

Dimensions	305 x 305 x 25 mm
Weight	1,2 kg
Connector	Reverse female TNC
Radome	Plastic (front) and Aluminum (base)
Operating temperature	-55°C to 71°C
Protection Grade	IP54
Mounting	4 M5 screws x 18 mm

## • Compatible supports

Antenna MTI Support - code: 500.507