



AM-06 RFID Reader

The AcuMifare AM-06 reader is a reader encapsulated small and great performance. Because of the design, it can be applied in several environments.

Purchase Code: 500.550

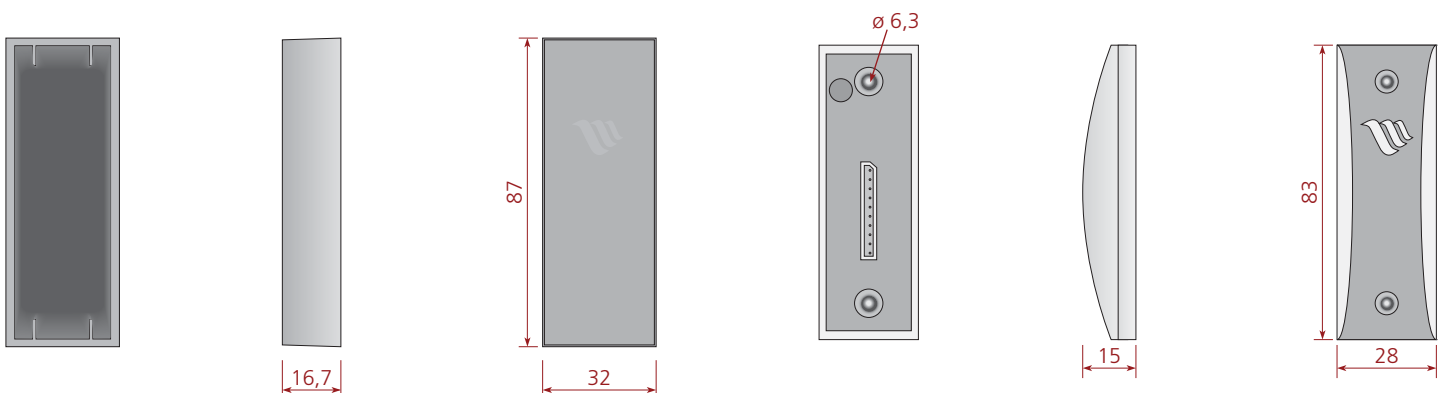
• Features

The AM-06 is a stylish and reliable player proximity in the shell smooth finish that fits perfectly into multiple environments. For cutting-edge designs, the AM-06 meets with excellent performance and appearance, with customizable logo, LED colors and sounds of configurable buzzer, and also containing 2 digital inputs and 2 outputs. It has wide applications in the area of access control with their communication interfaces Serial TTL RS-232, Wiegand 26 bit, Magstripe ABA TK-2 and RS-485 (optional), with parameters set via software. The AM-06 works in a range of ideal voltage for the most common applications in the market.

• Advantages

- 6 selectable LED colors on standby and reading;
- Interfaces common communication market;
- Quality finish;
- Easy installation, reducing cabling work;
- Wide operating voltage of 7.5 at 12 VDC;
- 2 digital inputs and 2 outputs controlled by RS-232 TTL.

• Dimensions [mm]



• Technical specifications

Feed	7.5 to 12 VDC
Consumption	75 mA @ 12 VDC
Communication interface	26 bit Wiegand, Magstripe ABA TK2, TTL Serial RS-232 and RS-485 (optional)
Reading Range*	Up to 5 cm with AcuMifare Standard
Frequency of operation	HF - 13,56 MHz
Modulation	ASK
Protocol	ISO 14443-A
Transponder	Only reading cards and tags AcuMifare
Dimensions	87 x 32 x 16 mm)
Weight	95 g
Operating Temperature	-10° to 60°C
Humidity	10% to 90% noncondensing
Protection degree	Do not apply
Installation	External or built-in equipment

* Assuming a regulated supply of 12V DC and stabilized, installation electromagnetic noise-free environment and without the presence of metal surfaces near the reader source.